



High-frequency Transformer

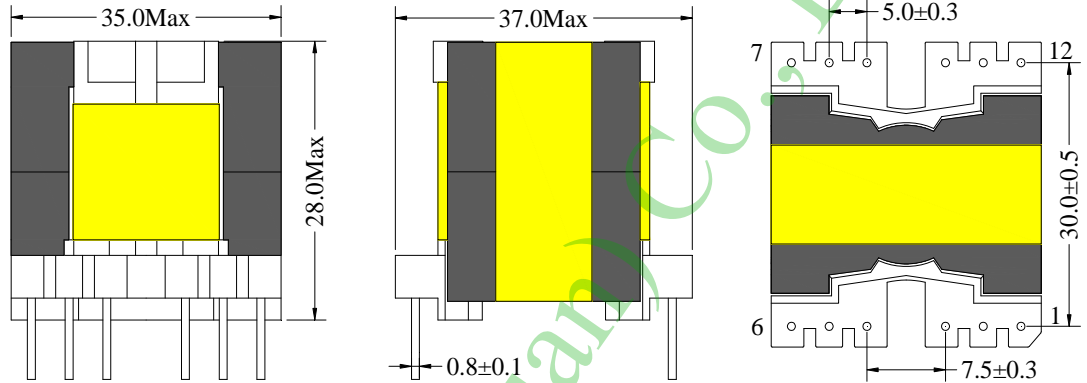
PQ3225 Series

Parameters/Dimensions:

PQ3225 Type 1

Information:

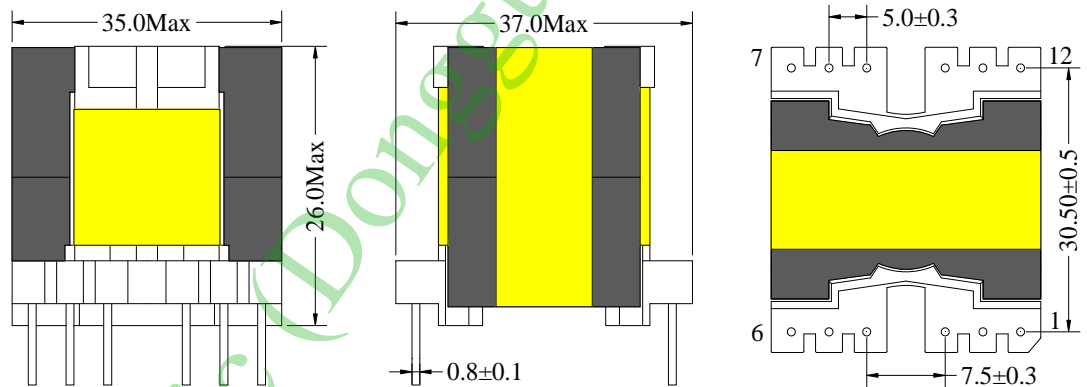
- Shape: PQ3225
- 1 Power: 145W
- 2 Mounting Orientation: Vertical
- 3 Size: 35(W) * 37(L) * 23(H)
- 4 Effective Ae (mm²): 162.0



PQ3225 Type 2

Information:

- Shape: PQ3225
- 1 Power: 145W
- 2 Mounting Orientation: Vertical
- 3 Size: 35(W) * 37(L) * 26(H)
- 4 Effective Ae (mm²): 162.0



Note:

Bobbin type listed in the traditional style, transformer design parameters to customer needs or to inject prevail.

PQ series high-frequency transformer features:

Low loss, low temperature, anti-jamming performance, reasonable shape, large power range (40W-600W), can effectively reduce installation size, with multiple pins to facilitate wound wiring. Low assembly cost, easy to meet safety requirements, but standardization than the southern.

Uses:

Main power transformers, drive transformers, smoothing chokes, auxiliary power transformer. Mainly used in networking, communications, power, electrical equipment, medical and other fields.